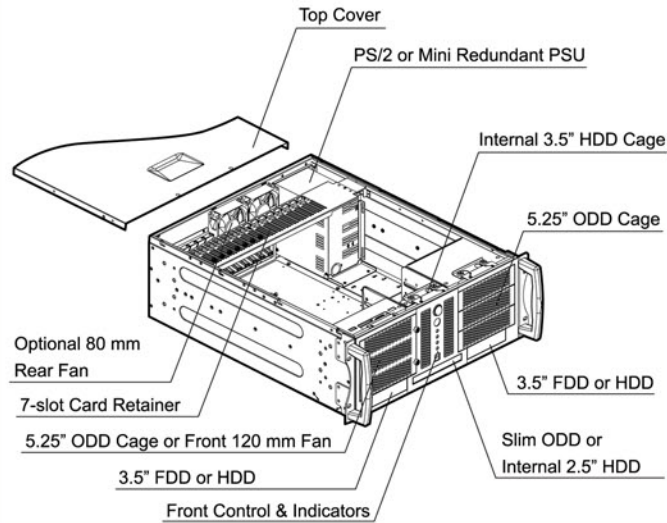


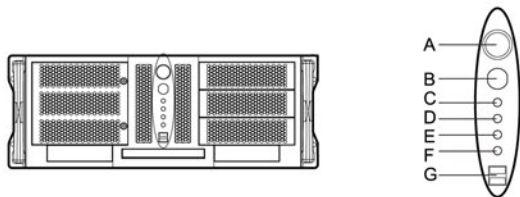
RM41300 QUICK INSTALLATION GUIDE

Major Components



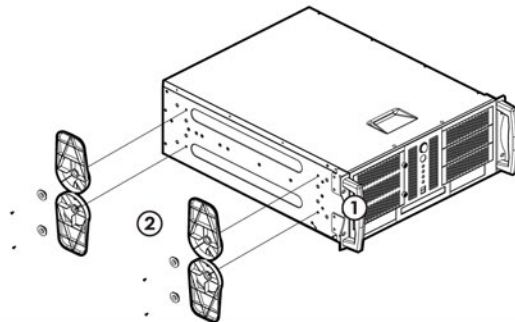
Front Controls & Indicators

- | | | |
|------------------------|-------------|--------------|
| A: Power On/Off Switch | D: HDD LED | G: USB Ports |
| B: System Reset Button | E: LAN1 LED | |
| C: Power LED | F: LAN2 LED | |



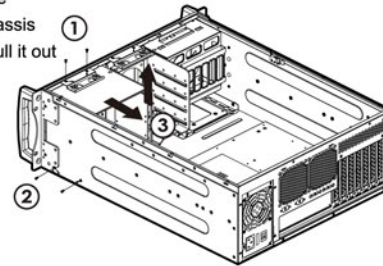
Pedestal Foot-stand Assembly

1. Loose 6 screws on each handle rack ear for removal
2. Align the foot stands on chassis & tighten with screws



5.25" Drive Cage Assembly

1. Loose 2 screws on top of cage
2. Loose 2 screws on side of chassis
3. Move the cage backward & pull it out



Internal 3.5" HDD & 80x25 mm Fan Assembly

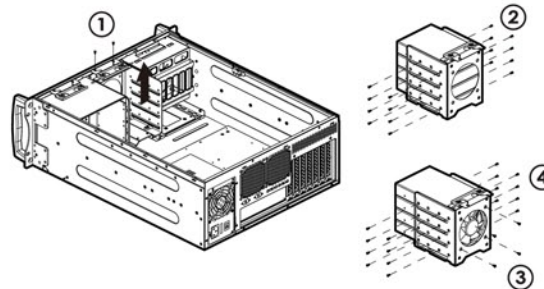
1. Loose 2 screws & pull out the cage

Installing HDDs

2. Tighten 4 screws to fix one 3.5" HDD on cage

Installing 80x25 mm Fan & HDDs

3. Tighten 4 screws to fix 80x25 mm fan & finger guard
4. Tighten 4 screws to fix one 3.5" HDD on cage



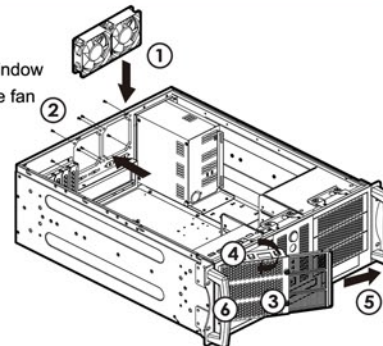
Front 120 mm & Rear 80 mm Fan Assembly

Rear 80 mm Fan

1. Align 80 mm fan to rear window
2. Tighten 8 screws to fix one fan & finger guard

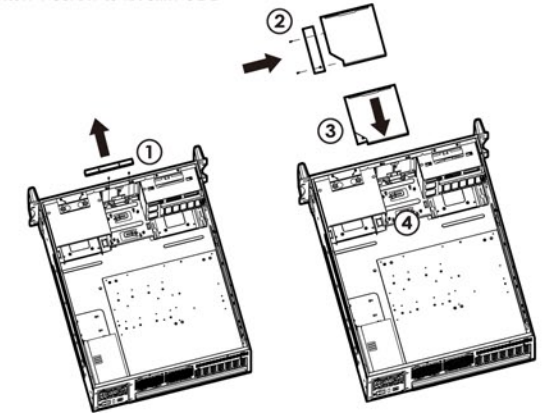
Front 120 mm Fan & Filter

3. Loose 2 thumb screws
4. Open the fan bracket
5. Pull out the filter for maintenance
6. Pull out the fan bracket & loose 4 screws to remove 120 mm fan



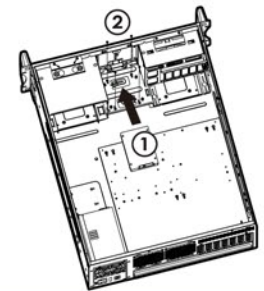
Install Slim ODD

1. Loose 2 screws & remove the slim ODD blank cover
2. Tighten 2 screws to fix the slim ODD bracket
3. Insert the slim ODD
4. Tighten 1 screw to fix slim ODD



Install Internal 2.5" SAS / SATA-II HDD

1. Insert 2.5" HDD into slim ODD cage
2. Tighten 4 screws to fix 2.5" HDD



Front Door Assembly

1. Loose 12 handle rack ear screws to remove handles & fix it on door with 4 door screws
2. Tighten 8 original handle screws to fix door on chassis

